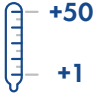









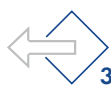




KT05.9A IP-Stile



 +50 +1 temperature range	 12V operating voltage	 2 passage directions	 30 persons/min
 anti-panic barrier arms	 Ethernet interface	 2 readers	 50 000 users
 870 000 events	 5 additional inputs	 3 additional outputs	 72W power consumption
 EMM/HID/ MIFARE card format			

Application

KT05.9A IP-Stile is a ready-for-use access control system based on a box tripod turnstile with automatic anti-panic barrier arms.

The IP-Stile features:

- IP-Stile housing with a built-in controller and two proximity readers
- RC-panel (buttons orientation is to be set upon connecting the panel)
- Software

The IP-Stile can operate:

- as a standalone unit – local software or Web-interface allow assigning cards and checking the events log; operation from RC-panel and WRC is available
- as a part of PERCo-Web ACS: all system characteristics are available; operation from RC-panel and WRC is available

The IP-Stile is equipped with readers of the following formats:

1. EMM/HID,
2. MIFARE reading:

- either unique identifier UID, or cryptoprotected data from the internal memory of the card (additional programming of readers and cards is required)
- UID from payment cards supporting PayPass contactless payment method
- Android smartphones with NFC function reading unique identifier (IMSI), linked to phone's SIM-card (installation and launch of free "PERCo. Access" application is required)
- Apple smartphones with NFC function reading unique identifier (Token), linked to a bank card if several bank cards are linked, the Token of the currently active card is scanned)

Ethernet (supports the TCP/IP (ARP, IP, ICMP, TCP, UDP, DHCP protocol stack) is a connection interface with a computer and other controllers of the system.

To calculate the number of necessary IP-Stiles it is recommended to install one turnstile per 500 people working the same shift and based on a maximum working load of 30 persons/min.

KT05.9A IP-Stile is a serially produced product certified for compliance with applicable Russian and European CE standards.



Automatic anti-panic barrier arms



RC-panel

KT05.9A IP-Style

Optional equipment

It supports the RS-485 interface connection of the following devices:

- up to 8 CL201.1 lock controllers (CL201.1 controller has a built-in EMM/HID reader and provides controlling one lock)
- IC-05 card capture reader (for connection layout see IC-05 description)

Configuration

Through the Web-interface users are able to choose one of the following variants of the IP-Style controller memory allocation:

- 50,000 cards and 230,000 events – set by default,
- 40,000 cards and 390,000 events,
- 30,000 cards and 550,000 events,
- 20,000 cards and 710,000 events,
- 10,000 cards and 870,000 events.

Main features

KT05.9A IP-Style features:

- built-in grant / denial indication of passage and operating mode
- built-in hydraulic damper
- automatic opening from Fire Alarm emergency unlocking device by moving the barrier arms to vertical position
- possibility of intrusion detector, siren and other optional equipment, also, emergency release device connection
- Web-interface integrated into the controller for initial setting and current parameter control

Built-in reader



Pictogram indication block

Design

The IP-Style is made of powder-coated steel. The housing colour is dark grey with a pearl mica effect. The top cover and barrier arms are made of stainless steel.

Operating conditions

The IP-Style, with regard to resistance to environmental exposure, complies with GOST 15150-69 category NF4 (operation in premises with climate control). The IP-Style should be operated at ambient air temperature from +1 °C to + 50°C and relative air humidity of up to 80% at +25°C (non-condensing).

Delivery set

Standard delivery set	
KT05.9A IP-Style housing (with CT03.2 controller board installed)	1
Barrier arm (model to be chosen when ordering)	3
SW2.5 Allen key for turnstile cover lock	1
RC-panel with cable	1
Mounting kit	1
Documentation set	1
Optional equipment (upon request)	
Power supply	1
WRC kit (features a receiver and two transmitters (fobs)) with operation range of up to 40 m	1
Intrusion detector (installed by the manufacturer upon request)	1
Siren	1
CL201.1 lock controllers	up to 8
PoE-splitter	1
SORMAT PFG IR 10-15 anchor bolts	4

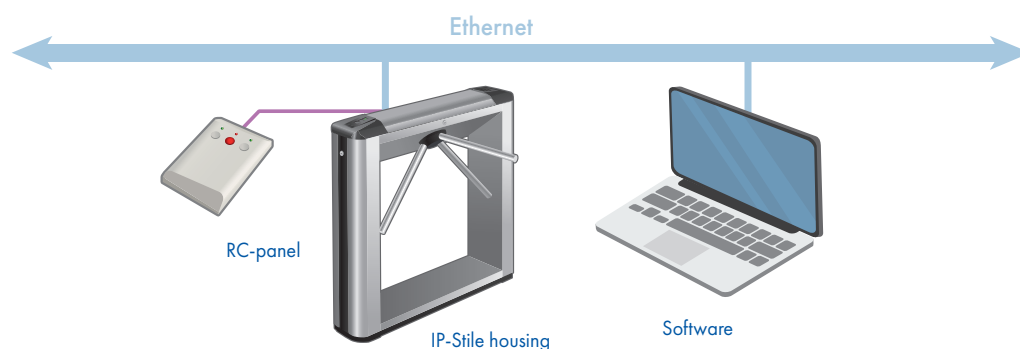
KT05.9A IP-Style

Technical specifications

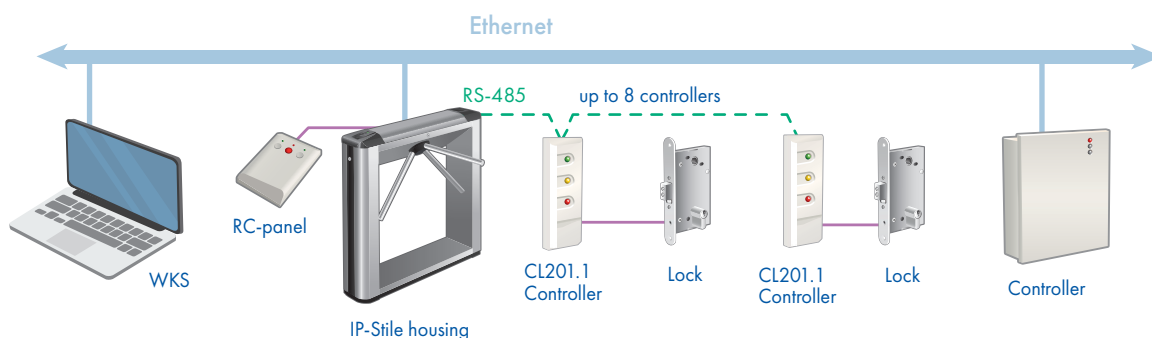
Operating voltage*	12±1.2V DC	
Current consumption, max.	6.0 A	
Power consumption, max.	72 W	
Overall dimensions with barrier arms installed (L×W×H)	1170×750×1030 mm	
Passageway width	560 mm	
RC-panel cable length	6.6 m	
Net weight, max.	68 kg	
Number of users (access cards)	from 10,000 to 50,000	
Number of events	from 230,000 to 870,000	
Communication interface standard	Ethernet (IEEE 802.3)	
Number of readers	2	
Proximity cards format	EMM, HID, Mifare, PayPass, NFC (smartphones)	
Card reading distance at the nominal operating voltage, min.	for EMM/HID cards	5-7 cm
	for MIFARE cards, smartphones with NFC	3-6 cm
Number of additional inputs	4	
Number of additional relay outputs (NC, C, NO relay outputs)	3	
Electric shock protection class	III (IEC 61140)	
Ingress Protection Rating	IP41 (EN 60529)	
Mean time to failure, min.	4,000,000	
Mean lifetime	8 years	
Throughput rate	in the single passage mode	30 persons / min
	in the free passage mode	60 persons / min
Package dimensions (L×W×H)	132x110x40 cm	

Connection

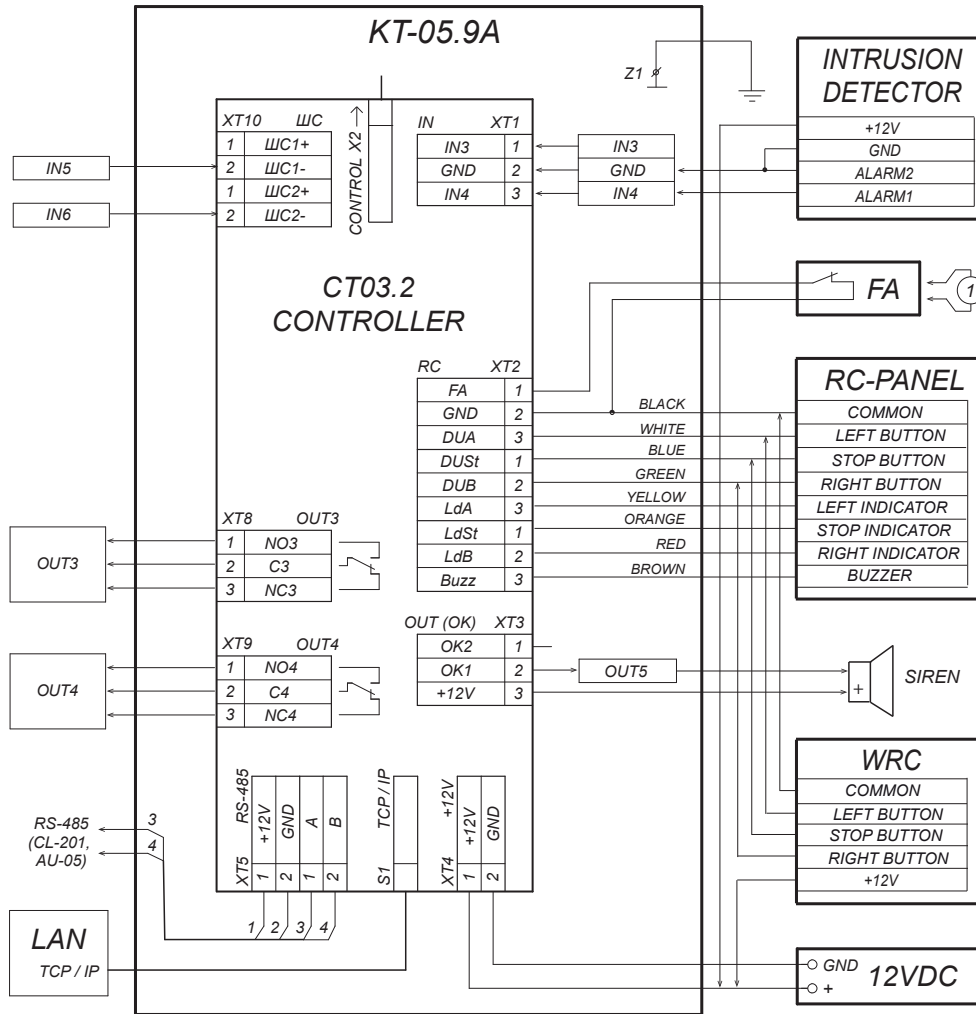
As a standalone unit



As a part of PERCo system



KT05.9A IP-Style



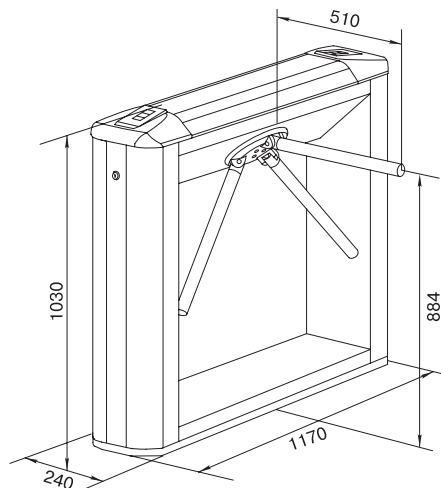
1 - Jumper wire when there is no fire alarm device

Wiring diagram of external equipment connection to the built-in controller board

The maximum allowed power cable length depends on its cross-section and shall be:

- 0.75 mm² cable cross-section – 10 m;
- 1.5 mm² cable cross-section – 30 m. Recommended cable type is 2x0.75 power cable.

Overall dimensions

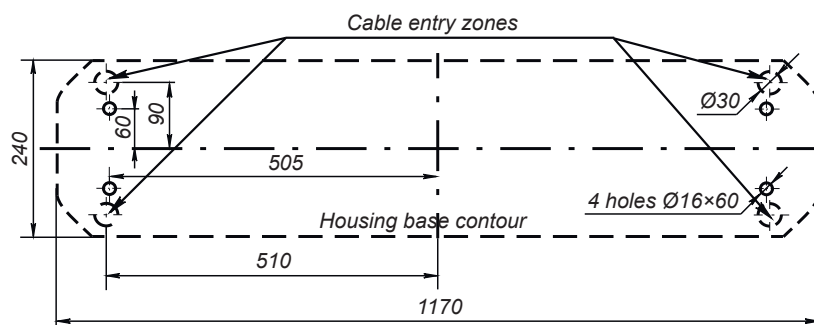


Overall dimensions

KT05.9A IP-Stile

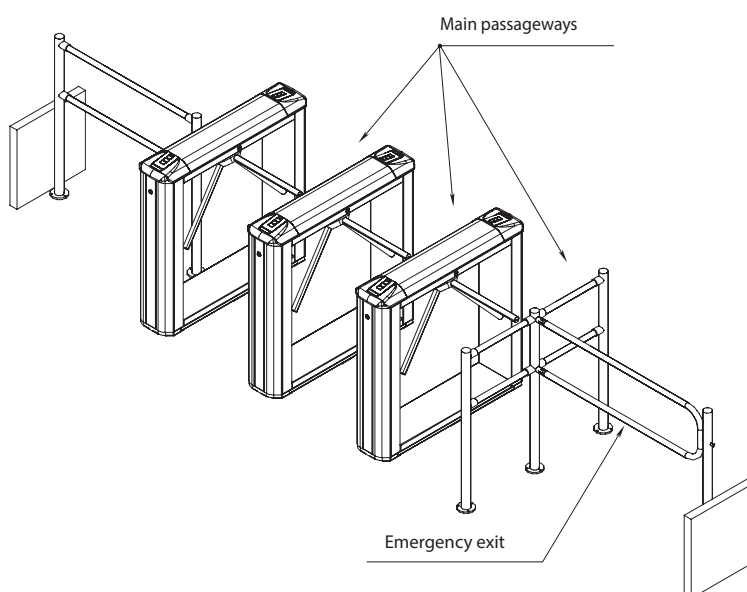
Mounting

Foundation requirements: concrete (grade 400 or higher), stone or similar foundations of at least 150 mm thick. For the installation of the IP-Stile on a less steady foundation it is recommended to apply reinforcing elements (550×550×200 mm).



Hole marking layout

Passage zone modeling



Example of an entrance zone project

Warranty

The warranty period is 5 years commencing from the date of sale if other is not stated in the contract for product delivery. In case of purchase and installation of the equipment by PERCo authorized dealers and service centers, the warranty period starts from the moment of the commissioning