

PERCo

5 year
warranty

Tripod turnstiles

for arrangement of reception areas



Weatherproof
design



Automatic
«Anti-panic» function



Compact
size

PERCo tripod turnstiles are the most popular type of turnstiles due to attractive price, dimensions and durability. Compact size allows you to install tripods within minimum space.

Box tripod turnstiles, when installed in a row, allow organizing a passage zone without using extra railing systems. Stainless steel design provides corrosion resistance and high durability during the outdoor application.

Barrier arms with automatic «Anti-panic» function allow organizing a free passage in case of an emergency. By receiving a signal from ACS or in case of a power loss, the barrier arm automatically drops down ensuring a free passage.

Box tripod turnstiles can be easily integrated with optional equipment like readers, card capture readers, barcode scanners, face recognition terminals, pyrometers, etc. In order to make installation easier there were special brackets and posts designed. Built-in readers can be installed under the tripod covers. Areas to present identifiers are marked by pictograms.



Skynet Office, Russia

TRIPOD TURNSTILES







TTR-08A tripod turnstile

design

weatherproof
design
stainless steel
housing

convenience

compact size
dynamic
indication

safety

automatic «Anti-
panic» function

integration

possibility to install
the readers under
the covers





T-5 cost-efficient tripod turnstile

design cost-efficient design
..... powder-coated steel
..... housing

convenience compact size
..... operation modes
..... indication



BOX TRIPOD TURNSTILES







TTD-08A box tripod turnstile

design weatherproof design
..... stainless steel housing

convenience passage zone organization
..... operation mode and passage direction indication

safety automatic «Anti-panic» function

integration possibility to install the readers under the covers





TTD-10A box tripod turnstile

design

weatherproof design
stainless steel housing

convenience

passage zone organization
operation mode and
passage direction indication

safety

automatic «Anti-panic» function

integration

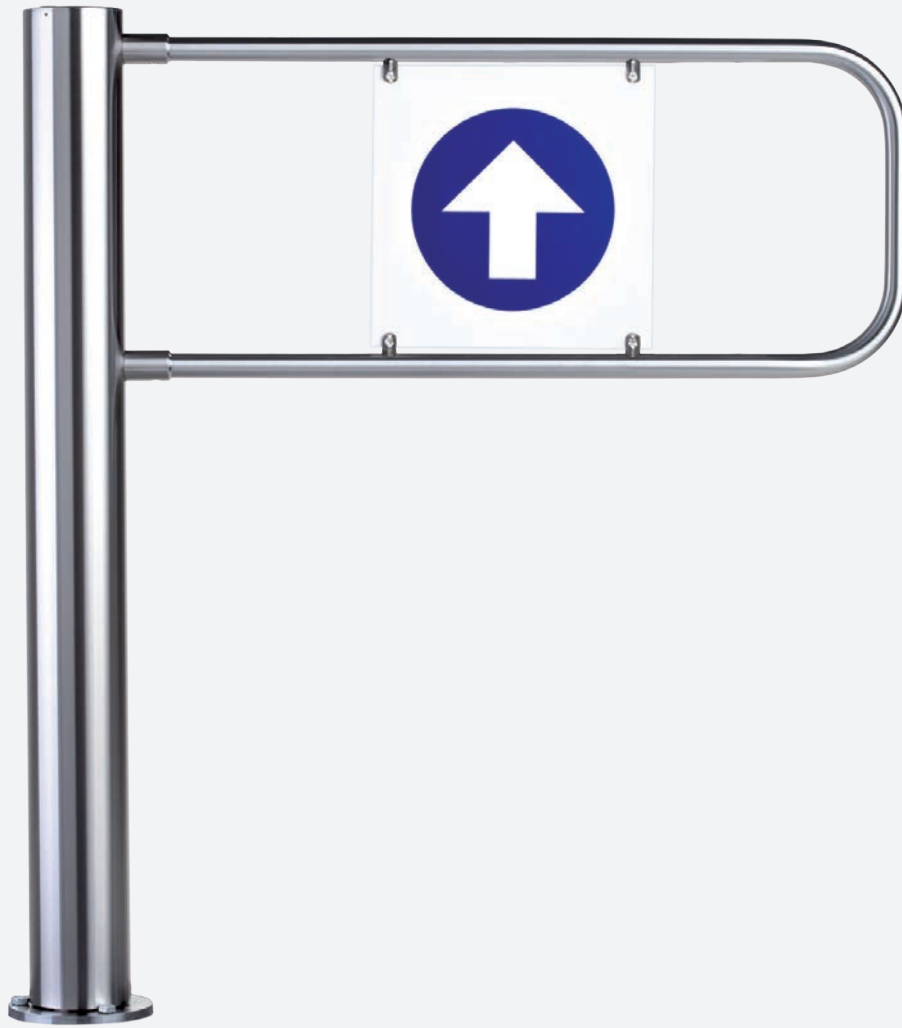
possibility to install optional equipment



SWING GATES AND RAILING SYSTEMS

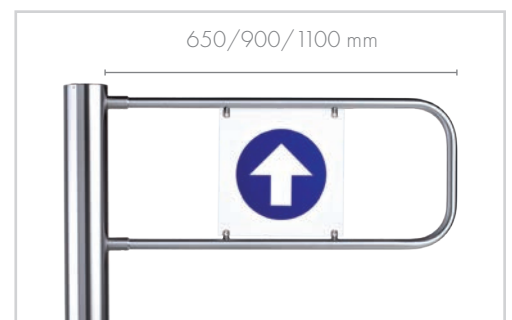


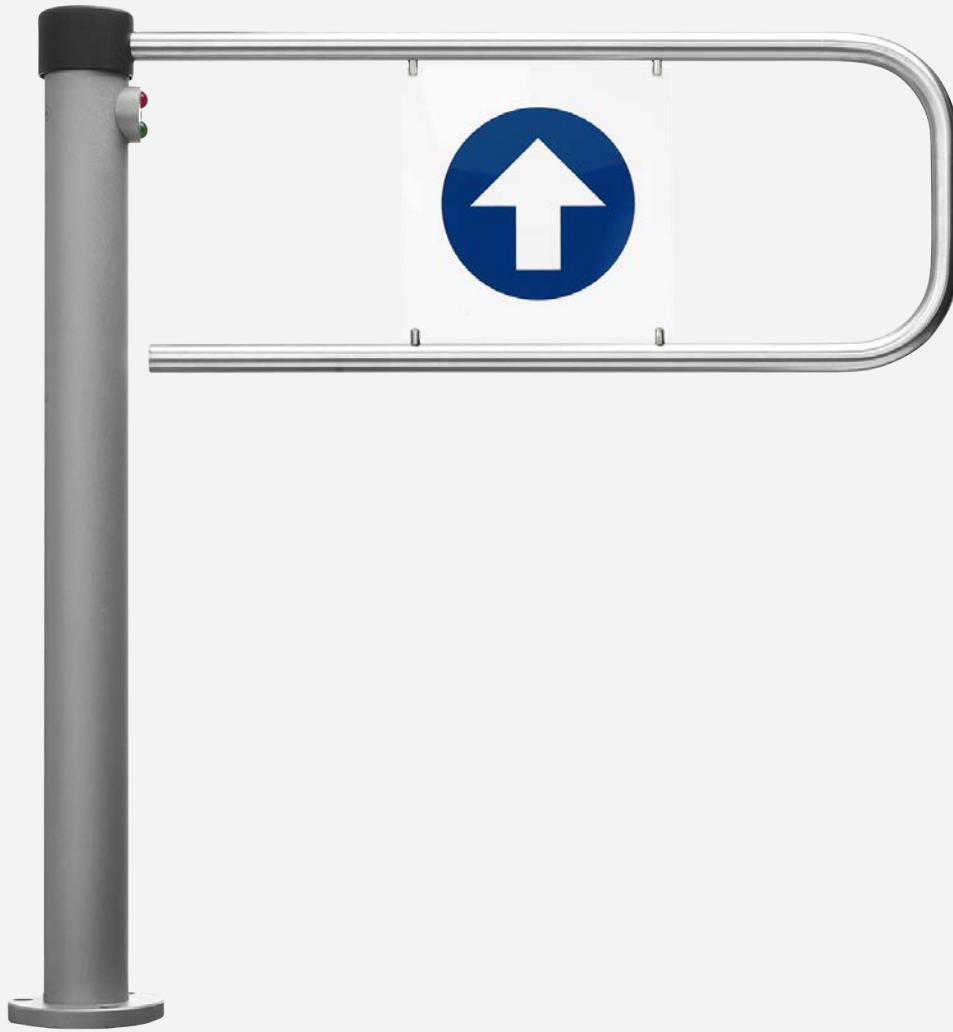




WMD-05 motorized swing gate

design housing – stainless steel
swing panel – stainless steel
and plastic filler panel with
pictograms

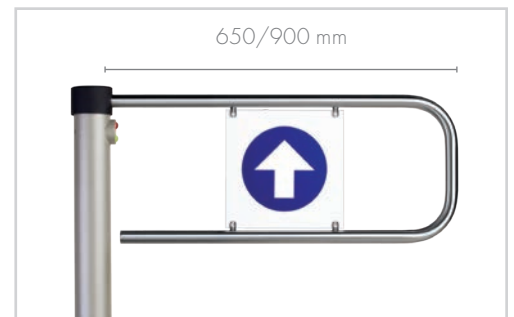




WHD-05 swing gate

design

housing – powder coated steel
swing panel – brushed stainless
steel and plastic filler panel with
pictograms



22/min



unlock



12 V

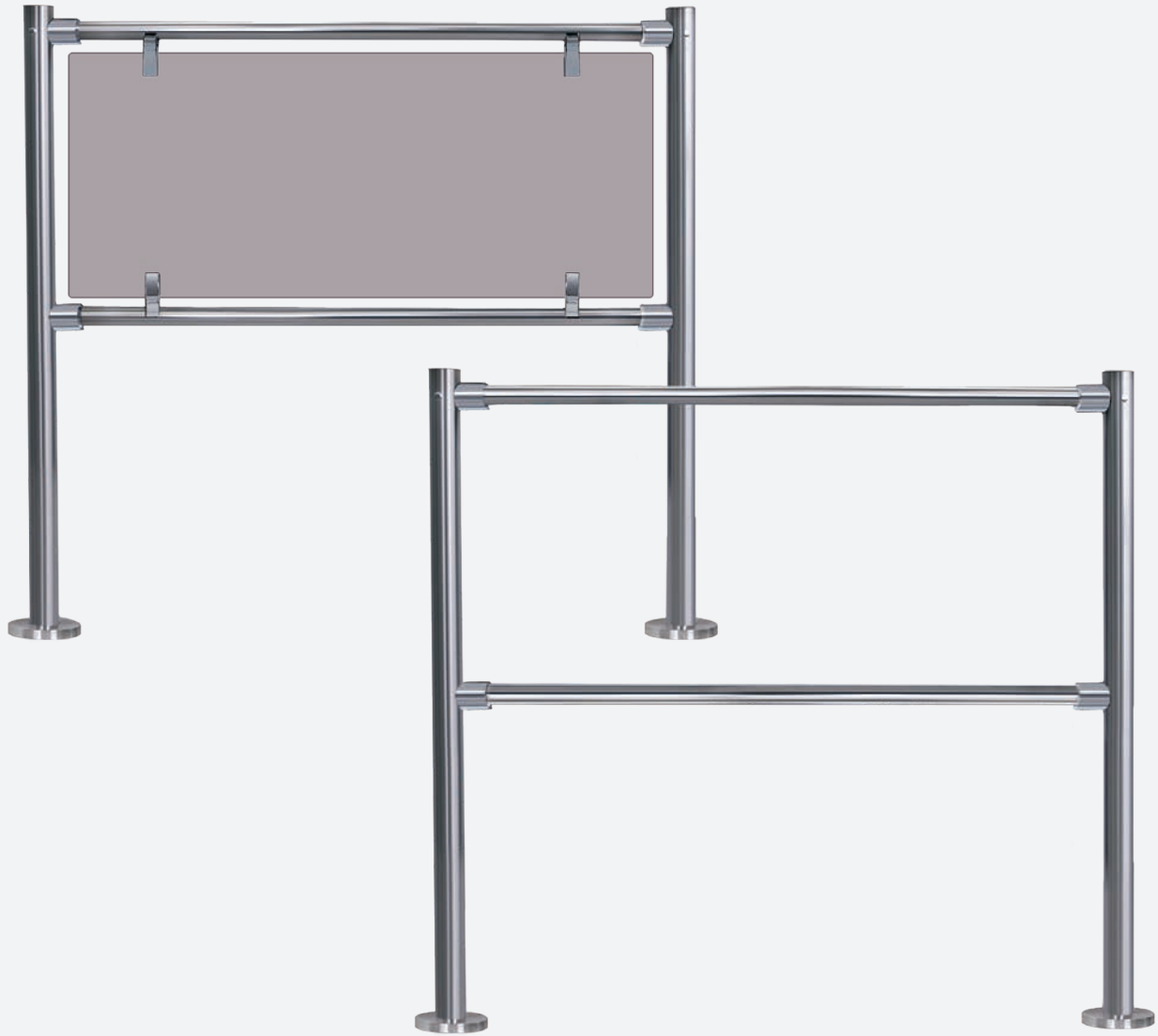


IP41



+50

+1



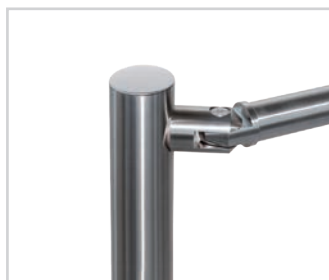
BH02 railing system

design stainless steel
..... round pipe

safety rotary sections with
..... «Anti-panic» function



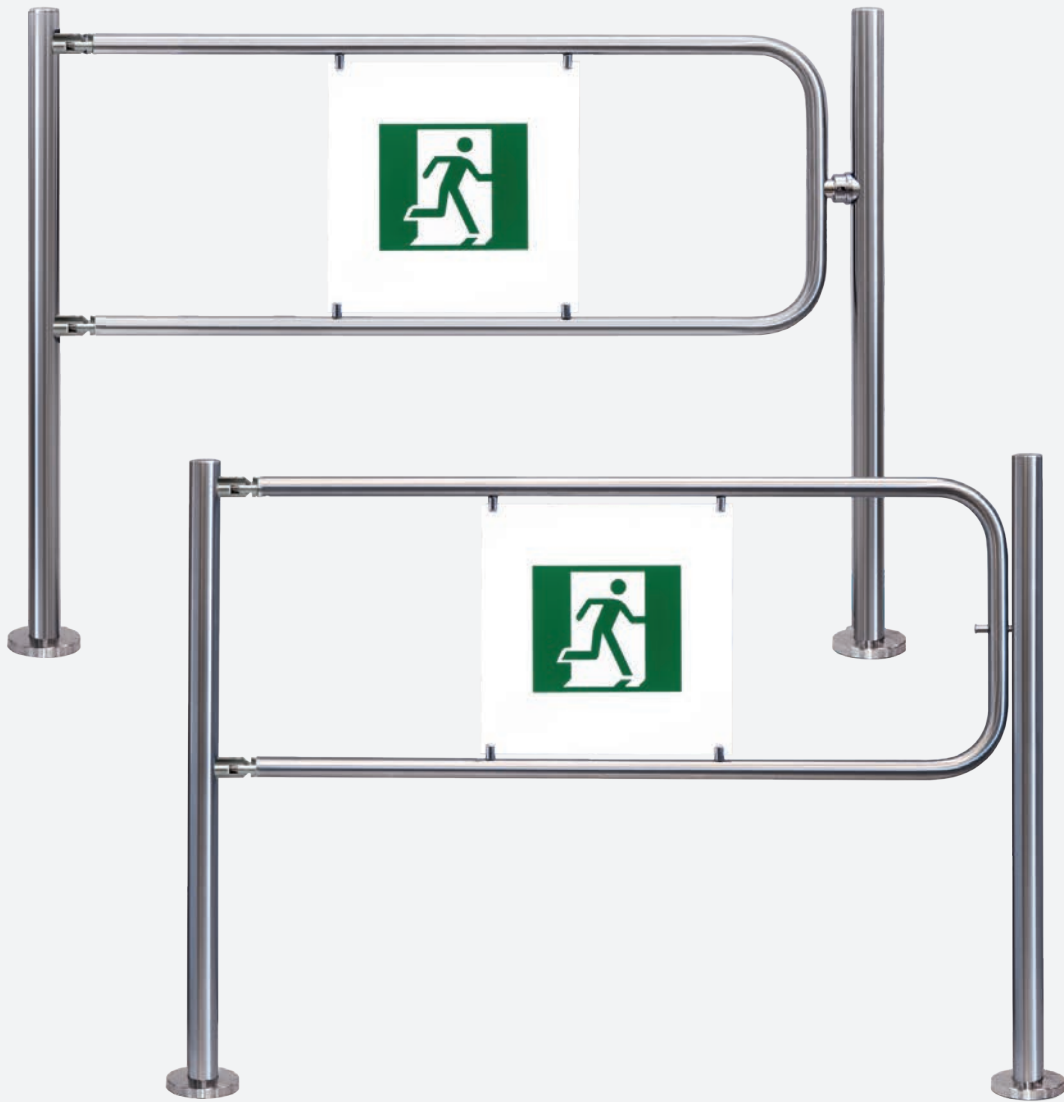
standard coupling fittings



adjustable coupling fittings



standard coupling fittings to fix the rails to the wall



configuration

passage zone
organization of
any configuration

design

similar design to
integrate with the
turnstiles



latching mechanism



magnetic lock



mounting flange of the fast
removable railing section



Sokolniki Park, Russia



Dreamwood Amusement park, Russia



Waterford & Tramore Racecourse, Ireland



City Clinical Hospital named after S.S. Yudin, Russia



Jesuit University ITESO, Mexico

PERCo in brief

5 year warranty

92 countries of sales

33 years of experience in the market

400 dealers

> 500 qualified specialists

5 warehouses in Russia and EU



modern manufacturing plant



free training and technical support



www.perco.com