



**IP-Stile with Automatic
Anti-Panic Function**

KT-08.3A

USER GUIDE

CE EAC



**IP-Style with automatic
anti-panic function**

KT-08.3A

User guide

Dear Customer!

*Thank you for purchasing PERCo IP-Stile.
Please follow instructions given in this Manual carefully,
and this quality product will provide many years of trouble-free use.*

KT08.3A IP-Stile User guide (hereinafter – *the Guide*) contains data for effective product use by the operator.

Abbreviations agreed in the Guide:

IM – indication module;
PS – power supply;
OD – operating device;
RC-panel – remote control panel;
PC – personal computer;
ACS – access control system;
ACM – access control mode;
WRC – wireless remote control.

1 APPLICATION

KT08.3A IP-Stile (hereinafter – *IP-Stile*) is designed for control of access to a facility by means of proximity cards. Access control through IP-Stile is performed by the operator with the RC-panel, which is included in the standard delivery set or using **PERCo-Web** software, with the proximity cards.

The IP-Stile is equipped with the built-in mechanism of an automatic drop arm, which automatically falls down by the command from the device (hereinafter – *Fire Alarm*) or at de-energizing.

IP-Stile can operate either as a standalone unit, without permanent connection to a local network or a PC, or as a part of **PERCo-Web** security system. All registered events are logged in the nonvolatile memory of the IP-Stile controller. As a part of **PERCo-Web**, ACS supports all the performance capabilities of the system.

Up to 8 **CL-201** controllers can be connected to the IP-Stile. Each controller has a built-in reader and allows to control one electromechanical (electromagnetic) lock. This gives an opportunity to provide one-direction access to eight rooms by proximity card presentation.

2 DESIGN

IP-Stile configuration is shown on Fig 1. IP-Stile consists of the housing (1-3) with built-in IP-Stile controller, two proximity card readers with indication modules, three barrier arms (4), RC-panel (13) and the Software for operation as a parts of **PERCo-Web ACS**.

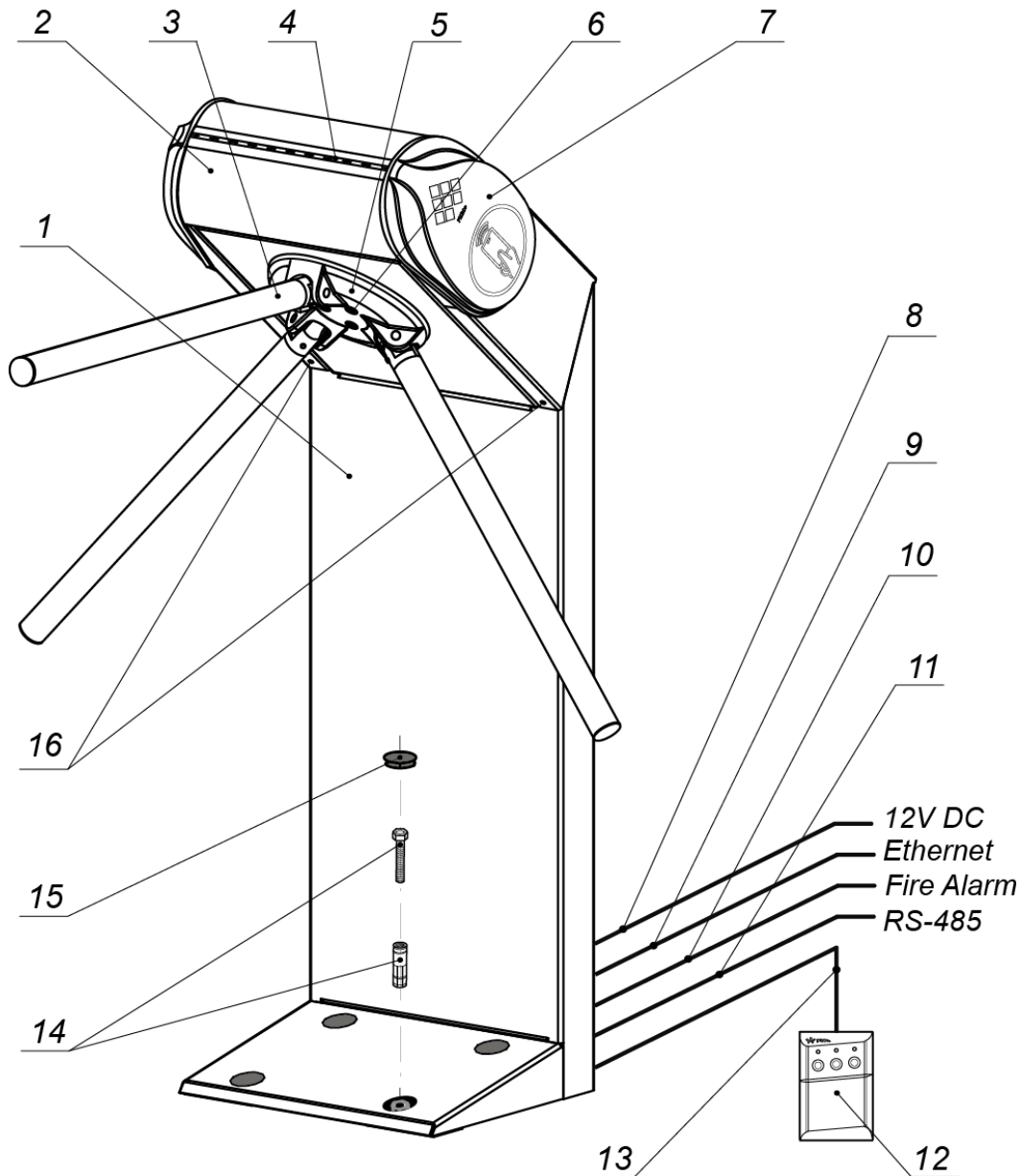


Figure 1. IP-Stile configuration

1 – IP-Stile housing; 2 – top cover; 3 – barrier arm;
 4 – LED indication «running line»; 5 – hub; 6 – hub fastening bolts;
 7 – side cover with built-in reader and an indication module; 13 – RC-panel,
 14 – RC-panel cable; 15 – anchor and bolt; 16 – plug;
 17 – cover fixing screws

Optional equipment:

8 – power cable; 9 – ACS connection cable,
 10 – emergency unlocking device (*Fire Alarm*) cable;
 11 – cable to connect additional devices via RS-485

2.1 Indication modules

Indication modules are located on the plastic side covers (7) and feature the following elements (Fig. 2):

- “Green arrow” and “red cross” signs are combined in a single indication module. Indicators are aimed at informing the users about the current status of the passage directions through IP-Stile and the set ACM.
- “Hand with a card” indicator is aimed at informing users about the possibility of entering through IP-Stile by proximity cards in the set direction and at showing proximity card reader zone.

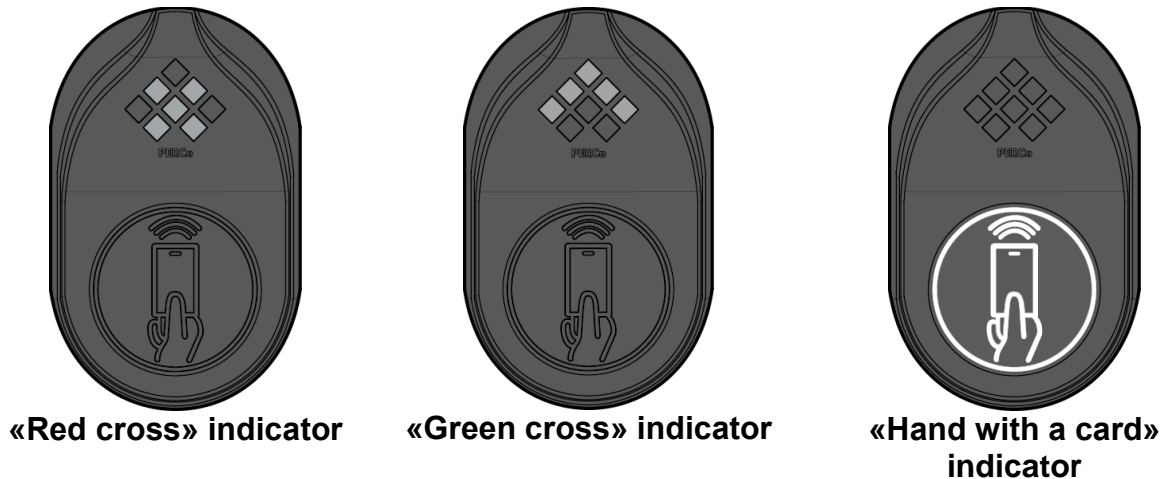


Figure 2. Indicators

IP-Stile is also equipped with «running line» indicator, located on the front end cover. Indicator is aimed at informing the user about passage denial or authorization through IP-Stile.

IP-Stile indication within manual operation from the RC-panel (WRC) is described in Table 1 and within the operation as a part of ACS in Table 2.

2.2 RC-panel

RC-panel (12) is connected to the IP-Stile housing with an RC-panel cable. RC-panel design and overall dimensions are shown on Fig. 3.

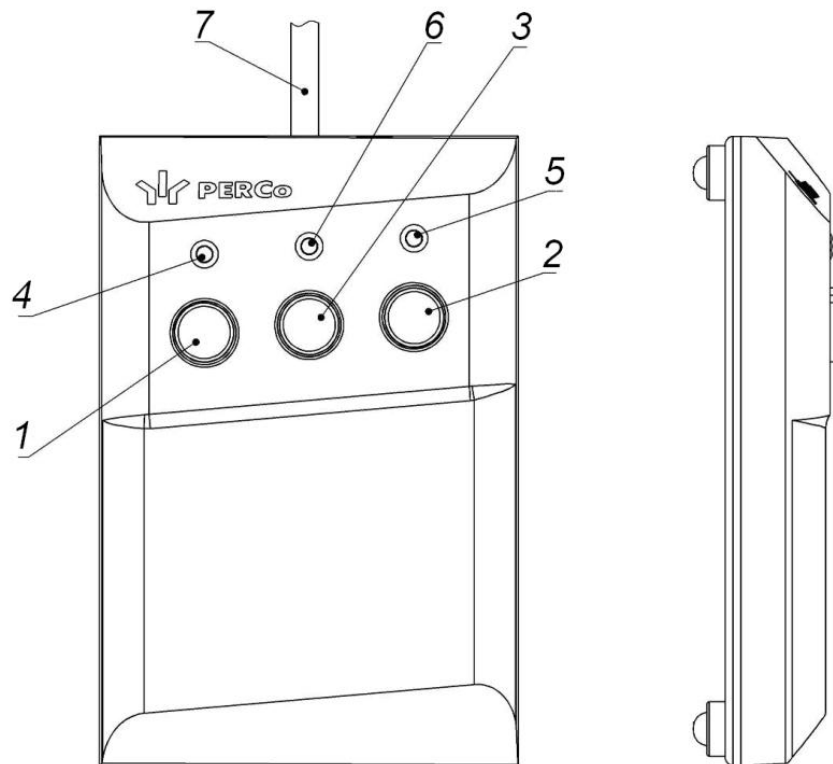


Figure 3. RC-panel design and overall dimensions

- 1, 2, 3 – **LEFT, RIGHT, STOP** buttons mode setting;
- 4, 5 – «*Left*», «*Right*» green LED indicators;
- 6 – red «*Stop*» LED indicator; 7 – RC-panel cable

The RC-panel features 3 buttons to set operating modes of the IP-Stile. The button in the middle **STOP** serves for setting the “Always locked” operating mode, the **RIGHT** and **LEFT** buttons – for unlocking the IP-Stile in a chosen direction. Up above the buttons there is an LED indication of the set mode. IP-Stile manual operation modes and RC-panel indication are shown in Table 1.

3 SAFETY REQUIREMENTS

We strongly advise to thoroughly study this section 7.2 «*Operation safety*» of the *Assembly and Operation Manual* before beginning the installation work as well as to observe general electrical and work safety rules during the installation.



Attention!

- Do not use the IP-Stile when operation conditions do not conform to those given in operation documentation.
- Do not use the IP-Stile when the supply voltage differs from that given in operation documentation.
- Do not move through the IP-Stile passage area any objects with dimensions exceeding the width of the passageway.
- Do not jerk and hit any elements of the IP-Stile in order to prevent their mechanical deformation.
- Do not dismantle or adjust mechanisms ensuring operation of the IP-Stile.
- Do not use substances that may cause mechanical damage or corrosion of the surfaces for cleaning the IP-Stile.

4 IP-STILE POWER-UP

At IP-Stile power-up follow this sequence of actions:

1. Connect the power supply to the mains with electric parameters as per its documentation. Turn the power on.



Attention!

When the controller configuration is changed with the jumpers, the controller internal memory is automatically formatted. This procedure lasts for about 2 minutes. After that the IP-Stile configuration should be transmitted to the controller by the Soft or Web-interface.

2. At first powering “Control” ACM is set for both directions. “Red cross” and “hand with a card” indicators lighten on the IP-Stile indication module, red «*Stop*» indicator on the RC-panel is ON. LED “running line” indication lightens with red. If the formatting has not been performed, the ACM and the indication, set for each passage direction before power failure, is saved.
3. Lift up the barrier arm. It will be fixed automatically.
4. The IP-Stile is ready for operation right after the power-up. The operator can send command for locking/unlocking of both passages from the RC-panel. In order to arrange passage with proximity cards the additional configuration is to be used.

5 IP-STILE CONTROL ORDERS FROM THE RC-PANEL



Attention!

Set the “Control” ACM to operate the IP-Stile from the RC-panel or the WRC.

The passage directions are independent of each other, i.e. setting an operating mode in one direction will not change an already set operating mode to another.

Operating modes setting by the RC-panel / WRC and the corresponding indication is given in Table 1. Please kindly note that:

- At first powering the «Control» ACM is set for both directions. Both passage directions are blocked.
- For «Single passage in the set direction» mode. IP-Stile locks automatically after passage completion in the set direction or in case the passage has not been completed within the **Holding in unlocked state time**. The initial setting of this timing is 4 seconds and it does not depend on the control impulse length. The time of holding in unlocked state is counted from the moment when the command from the RC-panel or the WRC is received.
- The «Single passage in the set direction» mode can be changed to «Free passage in the set direction» or «Always locked» mode.
- The «Free passage in the set direction» can be changed only to «Always locked» mode.
- For «Bidirectional single passage». After the passage completion in one direction the **Holding in unlocked state time** countdown for another direction begins.

Table 1. IP-Stile control commands

Command	Sequence of buttons to push	Indication		IP-Stile status
		RC-panel	IP-Stile housing	
«Always locked»	Press the STOP button shortly	The red indicator is ON	«Red cross» and «hand with a card» indicators are ON for both directions. LED indication «running line» lightens with red.	IP-Stile is locked for both directions
«Single passage in the set direction»	Press shortly LEFT/ RIGHT button for the set direction.	Green indicator of the set «Left»/ «Right» direction is ON	«Green arrow» indicator is ON for the set direction, «red cross» indicator and «hand with a card» indicator is ON for the opposite direction. LED indication «running line» lightens in the authorized direction.	IP-Stile gets unlocked for the single passage in the set direction. After that the IP-Stile gets locked. The opposite direction remains locked.

Command	Sequence of buttons to push	Indication		IP-Stile status
		RC-panel	IP-Stile housing	
« <i>Bidirectional single passage</i> »	Press both LEFT and RIGHT buttons simultaneously	Both green indicators « <i>Left</i> » and « <i>Right</i> » are ON	«Green arrow» indicators are ON for both directions. LED indication «running line» lightens in green. After the passage completion in both directions “red cross” and “hand with a card” lighten in the corresponding direction. After passage completion in both directions LED indication “running line” lightens in red.	IP-Stile gets unlocked for a single passage in both directions. After this the IP-Stile gets locked for each passage accordingly.
« <i>Free passage in the set direction</i> »	Press shortly STOP and LEFT / RIGHT button for the corresponding direction	Green « <i>Left</i> »/ « <i>Right</i> » indicator of the set direction is ON	«Green arrow» indicator is ON for the set direction, «red cross» indicator and «hand with a card» indicator are ON for the opposite direction. LED indication «running line» lightens in green.	IP-Stile is unlocked for the free passage in one direction. The opposite direction remains locked.
« <i>Free passage in the set direction and a single passage in the opposite direction</i> »	Install « <i>Free passage in the set direction</i> » mode for one direction and « <i>Single passage in the set direction</i> » for another	Both green indicators are ON	«Green arrow» indicators are ON for both directions. LED indicator «running line» lightens in green. After the single passage completion in the set direction, indicators «red cross» and «hand with a card» are ON.	IP-Stile is unlocked for free passage in one of the directions. IP-Stile is unlocked for a single passage in another direction. After that the IP-Stile gets locked.
« <i>Free passage in both directions</i> »	Press shortly LEFT , STOP and RIGHT buttons.	Two green indicators « <i>Left</i> » and « <i>Right</i> » are ON simultaneously.	«Green arrow» indicator is ON for both directions. LED indication «running line» lightens in green.	IP-Stile is unlocked for free passage in both directions.

6 OPERATION AS A PART OF AN ACS

ACS is changed by command from Software or from the Web-interface for each passage direction. A more detailed description of ACS is stated in *Operation Manual* of the ACS subsystem. Controller, as an ACS element, provides the following ACM through the OD (ACM indication is stated in Table 2):

ACM «*Open*» – free passage mode:

- IP-Stile is unlocked until the ACM change.
- Pressing the RC-panel buttons (RC-button «*Exit*» for **CL-201** second level controllers) is ignored.

ACM «*Control*» – main operation mode as a part of ACS:

- IP-Stile is blocked.
- If the presented card matches the criteria of access granting, the IP-Stile is unlocked for **Holding in unlocked state time**.
- When presenting the card, in accordance with the admission rights, commissioning and verification procedures can get started.

ACM «*Closed*» – locked mode:

- IP-Stile is locked until the ACM change.
- RC-panel and remote control commands are ignored.
- Any card presentation is registered as the access violation.

ACM «*Security*» (for **CL-201** second level controllers only):

- IP-Stile is locked until the ACM change.
- RC-panel and remote control commands («*Exit*») are ignored.
- Arming mode, including the turnstile (lock).
- Passage through the IP-Stile (forced entry) turns the protected zone into «*Alarm*» mode.

7 ACCESS CONTROL MODE, CONTROLLER EVENTS AND STATES INDICATION

Possible indication variants are stated in Table 2. IP-Style controller indication is displayed on the indication blocks (Section 2.1).



Note:

- When reading the proximity card identifier in any ACM, the audio signal of 0.2 sec. is sent, «hand with a card» indicator changes its status for 0.2 sec. Other indicators do not change their status.
- Red and green blink in antiphase. When blinking, the «running line» color will correspond to the color of the indicator (arrow/cross).
- If the access with the proximity card is granted, the light indication is turned to **Holding in unlocked state time** or until the moment of the next passage. If the access is banned, the indication turns on for 1 second.

Table 2. IP-Style indication

Card presentation	ACM	Indicators				
		Green arrow	Red cross	Running line	Hand with a card	Sound (sec.)
No configuration	No	2Hz (sequential)		2Hz	blinks	off
<i>Fire Alarm mode</i> (emergency passage opening)	Any	on	off	green	off	off
No	«Open»	on	off	green	off	off
	«Control»	off	on	red	on	off
	«Closed»	off	on	red	off	off
Access denied	«Open»	on	off	green	off	0.2
	«Control»	off	on	red	off	0.5
Any card	«Closed»					
Access granted	«Open»	on	off	green	off	0.2
	«Control»					
Waiting for verification/ commissioning	«Control»	2Hz (sequential)		2Hz	off	off

Possible variants of **CL-201** second level controller indication are stated in Table 3. Indication is displayed by light indicators, located on the housing front end.



Note:

- When reading the proximity card identifier in any ACM, the audio signal of 0.2 sec. is sent, yellow light indicator changes its status for 0.2 sec. Other indicators do not change their status.
- If the access with the proximity card is granted, light indication turns ON for **Holding in unlocked state time** or until the passage completion. If the access is banned, the indication turns on for 1 second.

Table 3. *CL-201* controller Indication

Card presentation		ACM	Indicators			
			Green	Yellow	Red	Sound (sec.)
No configuration		No	5 Hz	5 Hz	5 Hz	off
No		«Open»	on	off	off	off
		«Control»	off	on	off	off
		«Arming»	off	1 Hz	1Hz	off
		«Closed»	off	off	on	off
Access denied		«Open»	on	off	off	0.2
		«Control»	off	off	on	0.5
		«Arming»				
Any card		«Closed»				
Access granted		«Open»	on	off	off	0.2
		«Control»				
		«Arming»	off	off	on	0.5
Card has the arming/disarming right		«Open»	on	off	off	0.2
		«Control»				
		«Arming» ¹				
Repeated card presentation with arming/disarming authorization	Arming (turn to «Security» ACM)	«Arming»	off	1 Hz	1Hz	0.2
	Non-arming ² (up to the return to initial ACM)	«Open»	off	off	1sec	1
		«Control»				
Waiting for verification/commissioning		Any	off	1 Hz	off	0.2

8 EMERGENCY ACTIONS



Attention!

For a fast safe escape from the facilities in case of fire, natural disaster or other emergencies, an emergency exit is often required. Such an exit can be arranged by means of the **BH-02** anti-panic hinged sections.

The additional emergency exit can be provided by the IP-Stile passage area. Construction of the IP-Stile enables immediate clear of passageway without use of any special keys or tools. By putting the Fire Alarm signal to turnstile logic board the barrier arm automatically falls down allowing the free exit. The arm also drops down automatically at a power supply loss.

¹ Presenting the card with disarming authorization in the «Security» ACM, the following operations happen: protected zone disarming and ACS-controller unlocking for the **Holding in unlocked state time**. After this period of time ACS-controller turns to the ACM, set before the protected zone arming («Open» or «Control»).

² Light and audio indication turns on for 1 sec.

PERCo

Polytechnicheskaya str., 4, block 2
194021, Saint Petersburg
Russia

Tel: +7 812 247 04 64

**E-mail: export@perco.com
support@perco.com**

www.perco.com



www.perco.com