

### 1. APPLICATION

The LC-72.4 electromechanical mortise door lock (hereinafter – the lock) is designed to control light and medium office doors.

The lock can be installed in wooden and non-metal doors 38–50 mm thick. The lock is universal because it is compatible both with right-handed and left-handed doors using standard lock cylinders (Chapter 6).

The lock is designed to work as a part of access control system (ACS).

### 2. TECHNICAL SPECIFICATIONS

Technical parameters of the lock comply with GOST 538-2001 and GOST 5089-2003.

The lock with regard to unauthorized access protection complies with GOST P 51241-2008 (means of normal protection).

The lock resistance to opening complies with GOST 5089-2003, class 1.

DC voltage	11 – 13 V
Operational current	0.08 – 0.12 A
Lock cylinder type	pin-type
Bolt throw, day-time mode	11 mm
Bolt throw, night-time mode	18.5 mm
Product type	fail-safe
Dimensions	105×20×150 mm
Centre-to-centre spacing	72 mm
MTBF	200000 number of operations
Average lifetime	8 years
Protection class	III at IEC335-1
Weight	not more than 0.5 kg

### 3. STANDARD DELIVERY SET

Electromechanical mortise lock	1
Strike plate	1
Screw 3.5×25	4
Package box	1
Assembly and operation manual	1
Installation template	2

The lock cylinder with a set of keys, door levers with fixing elements, control cable are not included in the delivery set. They should be provided by the Customer.

### 4. OPERATION CONDITIONS

The lock with regard to resistance to environmental exposure complies with GOST 15150-69, category NF4 (operation in premises with climate control). Operation of the lock is allowed at ambient air temperature from +1°C to +45°C and at relative air humidity of 75% at +15°C.

### 5. SAFETY REQUIREMENTS

The lock safety requirements comply with GOST R IEC 335-1-94. The electric shock protection class is III as per GOST R IEC 335-1-94, clause 2.4.10.

### 6. DESIGN FEATURES

Design and composition of the lock is shown in Fig. 1.

Lock features:

- all body parts of the lock and strike plate have corrosion-resistant coating;
- lock is resistant to self-opening, for instance as the result of a hard kick on the door;
- the control cable is laid through the door leaf with pliant coupling;
- low power consumption;
- the design of the lock does not require preventive maintenance and lubrication from the customer for the entire period of operation;
- centre-to-centre hole spacing between the lever and cylinder – 72 mm;
- a universal lock construction enables its installation on both right-handed and left-handed doors by relocating of the bolt during the lock installation;
- the lock is designed for remote operation by an ACS controller (not included in the delivery set).

The universal construction provides:

- use of standard pin-type lock cylinders, standard EuroDIN (V DIN 18254), e.g. type 8809, 8209, 8259 produced by company ISEO (Italy) or lock cylinders of D series by Wilco Supply (type 254 – 274 – 294, 453, 454, 554);
- installation of escutcheon plates and door levers from leading manufacturers – ABLOY, Azbe, GARD, KALE, CISA and other, that enables the usage of lock with doors of up to 50 mm width.

### 7. OPERATING PRINCIPLE

The lock is a fail-safe device and opens by turning the lever after the locking device is released. Until the locking device is released the lever is blocked from turning.

Unblocking of the lock is performed by:

- turning the key in lock cylinder counter clockwise against stop and holding it and after turning the lever;
- de-energizing the lock from an ACS controller and after turning the lever;

After unblocking of the lock and turn of the lever (about 40°) the locking bolt is moved inside, and the door can be opened. You just need to shut the door to lock it, without turning the lever due to locking bolt moves to the skew.

For regular operation an ACS controller, controlling the lock, should have possibility of connecting reed switch to it. Lock connection scheme is shown in Fig. 2. The lock is connected to controller with no order to signal polarity. Power supply unit (A1) parameters should correspond to controller (A2) parameters.

To open the lock an ACS controller (A2) de-energizes the lock till the moment of door opening (this is possible either by signal from a reed switch or by removal of voltage for certain duration).

The door can be closed without lock de-energizing.

If for some reason the lock can't be de-energized from an ACS controller it can be opened by a key turn (counter clockwise against stop and after turn the lever).

In day-time locking mode the bolt throw is 11 mm which makes it possible to close the lock in latch mode independent if it is energized / de-energized.

Change to night-time locking mode.

While the door is open move up the day / night mode switch (13) on the forend as far as it goes. After that close the door and the lock will automatically switch to night-time mode. The switch frees additional 7.5 mm bolt throw. This avoids the possibility to push out the door and improves lock reliability.

Opening of the lock in night-time mode is similar to the one in day-time mode, i.e. by a signal from ACS or use of the key. The lock will automatically return to day-time mode after that.

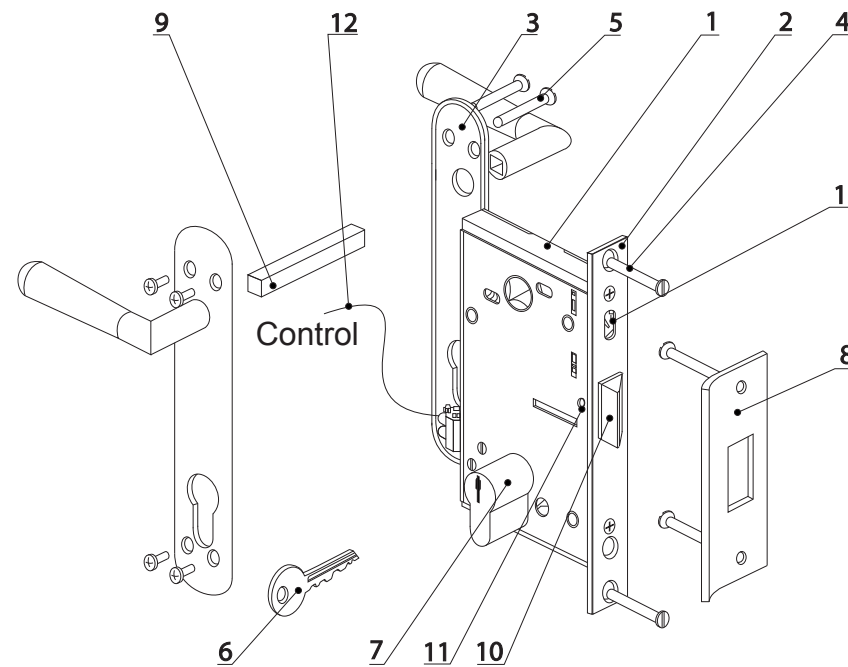


Fig. 1. LC-72.4 electromechanical lock design

- 1 - Lock; 2 - Forend; 3 - Door lever with escutcheon plates\*; 4 - Screw 3.5×25;
- 5 - Escutcheon plate fastening screw;\* 6 - Key;\* 7 - Lock cylinder;\* 8 - Strike plate; 9 - Lever rod;\* 10 - Locking bolt; 11 - Screw;
- 12 - Control cable;\* 13 - Day / night mode switch.

\* - Not included in the delivery set

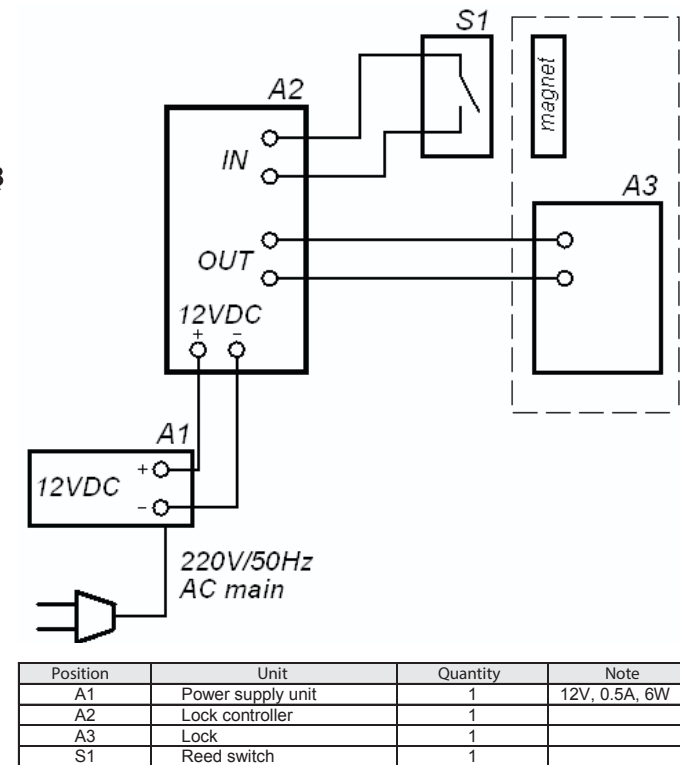


Fig. 2. LC-72.4 electromechanical lock layout

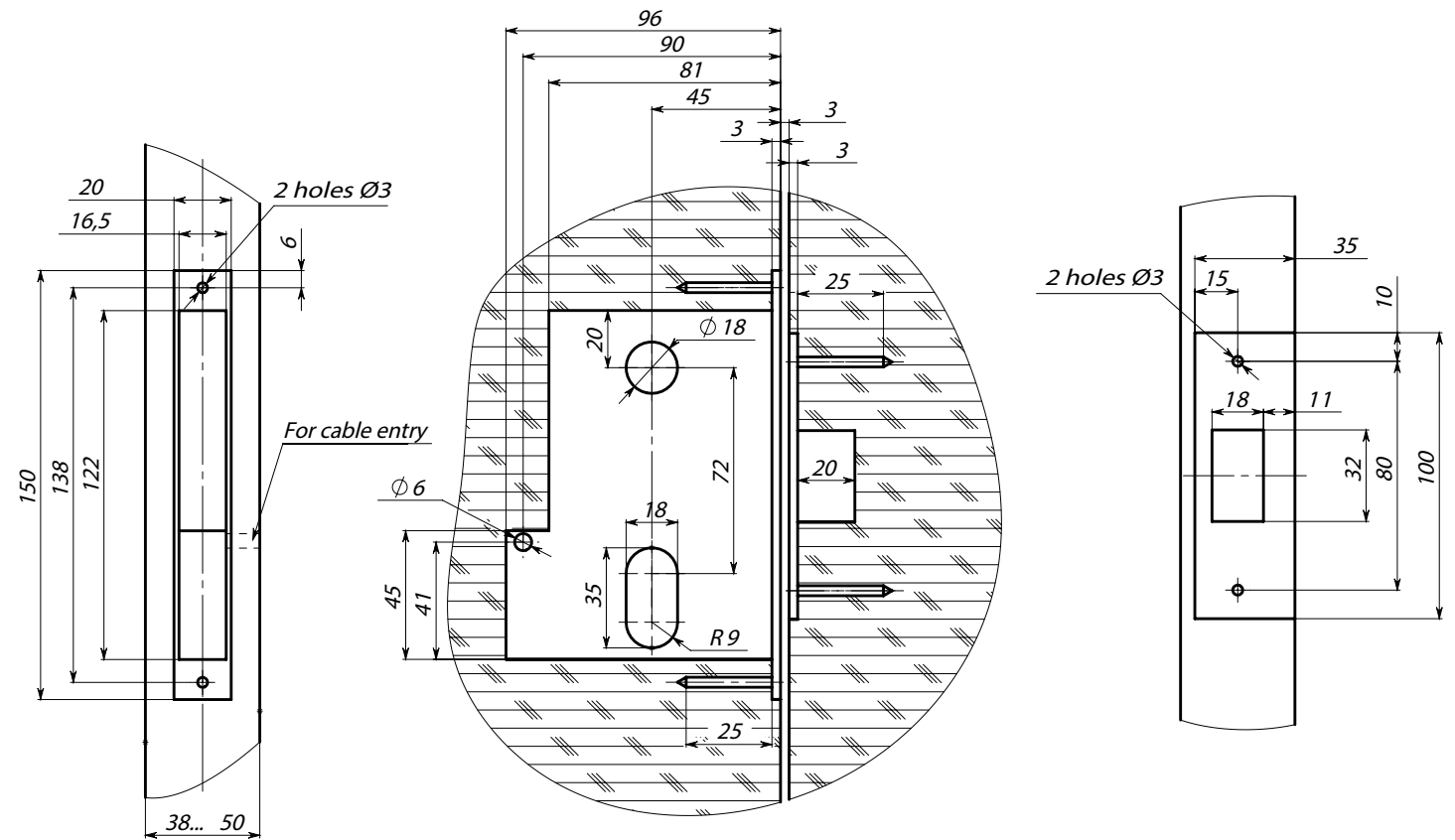


Fig. 3. LC-72.4 electromechanical lock installation layout

Cutting line

WARRANTY CARD

Cutting line

WARRANTY REPAIR COUPON

5

6

7



## 8. INSTALLATION INSTRUCTIONS

Making of holes in the door leaf for installing the lock (1), lock cylinder, door lever, forend and strike plate (8) in the door frame should be made according to Fig. 3 and installation template from the delivery set.

**Note**  
For providing stable lock operation an accurate vertical mounting of the lock and strike plate is required.

Normal lock operation sits for the spacing between the door frame and door leaf (between the strike plate and lock) within 1 – 4 mm (optimal – 2 - 3 mm).

Make the hole marking for lock cylinder, lever with the rod and cable using installation template from the delivery set. Prior cut out the installation template and apply it to the door inner side. The cable hole is made on the door inner side after marking. In case the cable is laid through the door leaf the Ø6 hole is not made. The cable laying method is determined by lock installer and the Customer.

Install the lock in the following order (see Fig. 1):

1) Make the carving in the door according to the marking (measures given in Fig. 3);

2) If necessary relocate the door bolt for its correct orientation to the door (right-handed / left-handed):

- totally unscrew the screw (11) using the Allen key S=2.5 (Fig. 1);
- take out the bolt and set it in the required position;
- install the bolt back into the lock and fix it with the screw;

**Note**  
At delivery the bolt is installed for the left-handed door.

3) Lay the control cable from controller on the inner door leaf leaving the loop at the door opening line. Bring the cable inside the locating pocket through according hole and connect it to the lock connector block. After that install the lock in the locating pocket of the door and fasten it with screws from the delivery set;

4) Mount the lock cylinder (7) inside the lock (1) and fix it with the screw through hole on the front plate of the lock (1) (lock cylinder is not included in the delivery set);

5) Adjust the door levers with escutcheon plates (3) and fasten them with screws (not included in the delivery set);

**Note**  
When installing the reed switch ensure the firm contact closure at closing of the door.

6) Check the lock operation in day-time mode.

Insert the key (6) into lock cylinder (7) and turn it clockwise against stop (for right-handed doors – clockwise direction, for left-handed doors – counter clockwise on the door front side). Holding the key turn the lever. The bolt should fully move inside the lock without sticking. Check that the lever is blocked unless the key in lock cylinder is turned.

Closing and blocking of the lock should be checked while the door is opened. Lock closing (sinking of the bolt) by turning the lever must be impossible when the key is taken out.

Check the lock operation several times at the opened door.

7) Check the lock operation in night-time mode.

In order to change day-time mode to night-time mode move up the switch on the forend. After that the door can be closed and the lock will automatically switch to night-time mode.

The imitation of closing at the opened door can be made by sinking the locking bolt. The day / night mode switch frees the locking bolt and after sinking it moves out for additional 7.5 mm. After that the bolt is blocked.

Opening of the lock in night-time mode is made by a key turn (clockwise against stop) and after that holding the key turn the lever. The lever should turn freely without sticking. After releasing the lever the lock automatically switches to day-time mode (the bolt throw is limited). Check the lock operation several times at the opened door.

8) Check the control signal passage before fixing the lock (1) by connecting the control cable to lock connector block.

When energized the lock is unblocked and possible to open by turning the door lever. Closing of the lock is checked by sinking the locking bolt (independent of the power supply). After the lock is de-energized the locking bolt is blocked by a turn of the lever. Do this checking several times.

- 9) Mounting of the strike plate (8) should be made in the following order:
- make the carving in the door frame according to Fig. 3;
  - mount the strike plate (8) into the door frame providing 1.5 – 3 mm spacing between the strike plate and the forend (2) when the door is closed. The channel of the strike plate (Fig. 3) must lay symmetrical to bolt's cross section;
  - fix the strike plate with screws from the delivery set.

If the lock is operated as a part of access control system (ACS) it is recommended to install the voltage regulator diode BZW06-15B or P6KE16CA (or another model with equal parameters) on contact clips.

**Note**  
The voltage regulator diode is used for maintaining the device which sends the control signal.

Make the installation of an ACS reading device in accordance with its assembly and operation manual.

Disassembling of the lock should be made in the reverse order.

## 9. TRANSPORTATION AND STORAGE

The lock in the original package can be delivered by means of land (railway and road), sea and air transport. It is allowed to stack the boxes while in transit.

Locks storage is allowed indoors at ambient temperature from – 50°C to + 50°C. Storage time in closed package is 12 months.

## 10. PERCo WARRANTY

PERCo (the Manufacturer) warrants that the LC-72.4 electromechanical mortise door lock (the Product) complies with applicable statutory safety requirements, electromagnetic compatibility provided that the instructions on storage, installation and operation, given in the Assembly & Operation Manual are observed.

The warranty period is **5 (five) years** commencing from the date of sale.

Should there be no date of sale on the warranty card, the warranty period shall commence from the date of manufacture.

Within the warranty period the Product is repaired free of charge at the Manufacturer's site.

The Warranty does not cover Products with external mechanical damages or disassembled by the Customer.

Transportation cost to and back from the place of repair shall be borne by the Customer.

Company PERCo is always ready to give you necessary technical support in case of any question arise during the Product assembly or operation.

# PERCo

Polytechnicheskaya str., 4, block 2  
194021, Saint Petersburg  
Russia

Tel: +7 812 247 04 64

E-mail: [export@perco.com](mailto:export@perco.com)  
[support@perco.com](mailto:support@perco.com)

[www.perco.com](http://www.perco.com)

# Electromechanical Lock LC-72.4

Assembly and Operation Manual

[www.perco.com](http://www.perco.com)



POCC RU.СП26. H02523  
TY 4981-048-88226999-2013



WARRANTY CARD

**Electromechanical Lock LC-72.4**

Serial number									
---------------	--	--	--	--	--	--	--	--	--

Date of manufacture «    » \_\_\_\_\_ 201\_\_

Quality Control Seal

Date of sale «    » \_\_\_\_\_ 201\_\_

\_\_\_\_\_  
(signature, seal)



WARRANTY REPAIR COUPON

**Electromechanical Lock LC-72.4**

Serial number									
---------------	--	--	--	--	--	--	--	--	--

Date of manufacture «    » \_\_\_\_\_ 201\_\_

Quality Control Seal

Date of sale «    » \_\_\_\_\_ 201\_\_

\_\_\_\_\_  
(signature, seal)